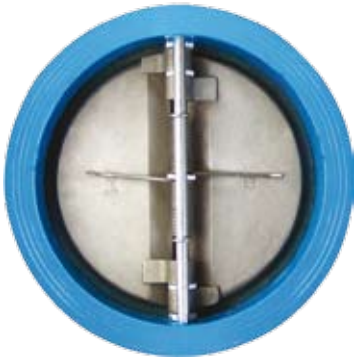
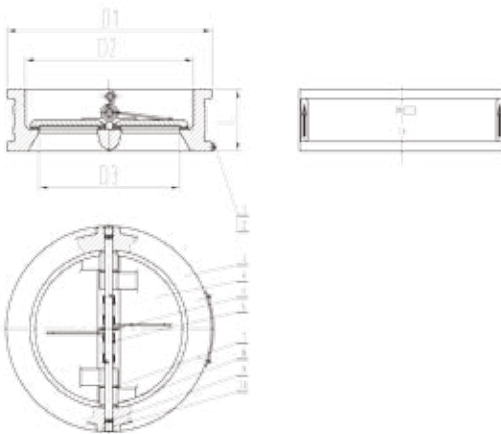


Dual plate Wafer Check valve PN10/16-150LBS



Dual Plate Wafer Check valve PN 10/16		Type: Face to face ISO 5752 series 16
GGG40+NBR PN10/16 - Wafer		
Specifications		
Fig. Saïdi	SA-3-PW	
Materials	Body	Nodular Cast Iron GGG40 + NBR (*)
	Disc	Stainless steel ASTM A351 CF8
	Shaft	Stainless steel ASTM A276 410
	Spring	Stainless steel AISI 321
Other	Connections	Between flanges DIN 2501 PN10/16 & ASME B16.5 Class 150
	Temperature range	-12°C up to +82°C
	Sealing test	18 bar
	Shell test	24 bar
	Inspection & Tests	API 598
(*) Other materials on request		



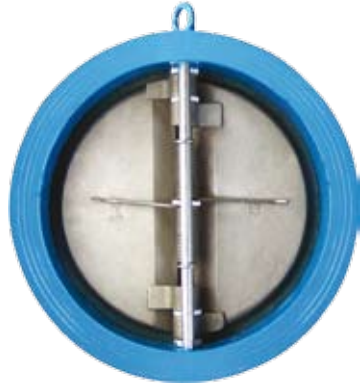
Parts			
No.	Name	Quant.	Material
1	Rivet	2	Aluminium
2	Label	1	Stainless steel
3	Body	1	GGG40 + NBR
4	Disc	2	ASTM A351 CF8
5	O-ring	3	PTFE
6	Spring	2	Stainless steel 321
7	Shaft	2	ASTM A276 410
8	O-ring	2	PTFE
9	Gasket	4	NBR
10	Hexagonal nuts	4	Carbon steel

Dual plate check valve GGG40/304/NBR PN10/16 Wafer DN-40/300

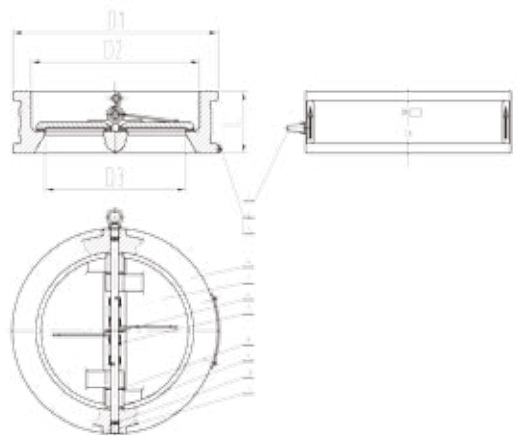
Article Number	Dimensions (mm)					Weight (kg)	Price
	DN	L	D1	D2	D3		
-	40	43	94	-	-	1,1	-
010111304500001	50	43	102	65	46	1.5	24,00
010111304500002	65	46	121	80	60	2.4	28,44
010111304500003	80	64	134	94	70	3.6	35,72
010111304500004	100	64	162	117	88	5.7	45,52
010111304500005	125	70	192	145	115	7.3	59,19
010111304500006	150	76	218	170	134	9	91,04
010111304500007	200	89	273	224	184	17	149,94
010111304500008	250	114	328	265	220	26	244,06
010111304500000	300	114	378	310	260	42	319,10

Dual plate Wafer Check valve PN16 DN 350/600

Dual plate Wafer Check valve PN 16		Type: Face to face ISO 5752 series 16
GGG40+NBR PN16 - Wafer		
Specifications		
Fig. Saidi	SA-3-PW	
Materials	Body	Nodular Cast Iron GGG40 + NBR (*)
	Disc	Stainless steel ASTM A351 CF8
	Shaft	Stainless steel ASTM A276 410
	Spring	Stainless steel AISI 321
	Others	Connections
	Temperature range	-12°C up to +82°C
	Sealing test	18 bar
	Shell test	24 bar
	Inspection & Tests	API 598



Parts			
No.	Name	Quant.	Material
1	Ring	1	Carbon steel
2	Rivet	2	Aluminium
3	Label	1	Stainless steel
4	Body	1	GGG40 + NBR
5	Disc	2	ASTM A351 CF8
6	O-ring	3	PTFE
7	Spring	2	Stainless steel 321
8	Shaft	2	ASTM A276 410
9	O-ring	2	PTFE
10	Gasket	4	NBR
11	Hexagonal nuts	4	Carbon steel



Dual plate Check valve GGG40/304/NBR PN16 Wafer DN-350/600

Article Number	Dimensions (mm)					Weight (kg)	Price
	DN	L	D1	D2	D3		
010111304500009	350	127	438	360	302	55	384,77
010111302720040	400	140	489	410	350	75	598,75
010111304500010	450	152	555	450	385	101	826,25
010111304500011	500	152	617	505	438	111	1.080,45
010111304500012	600	178	734	624	538	172	1.428,84