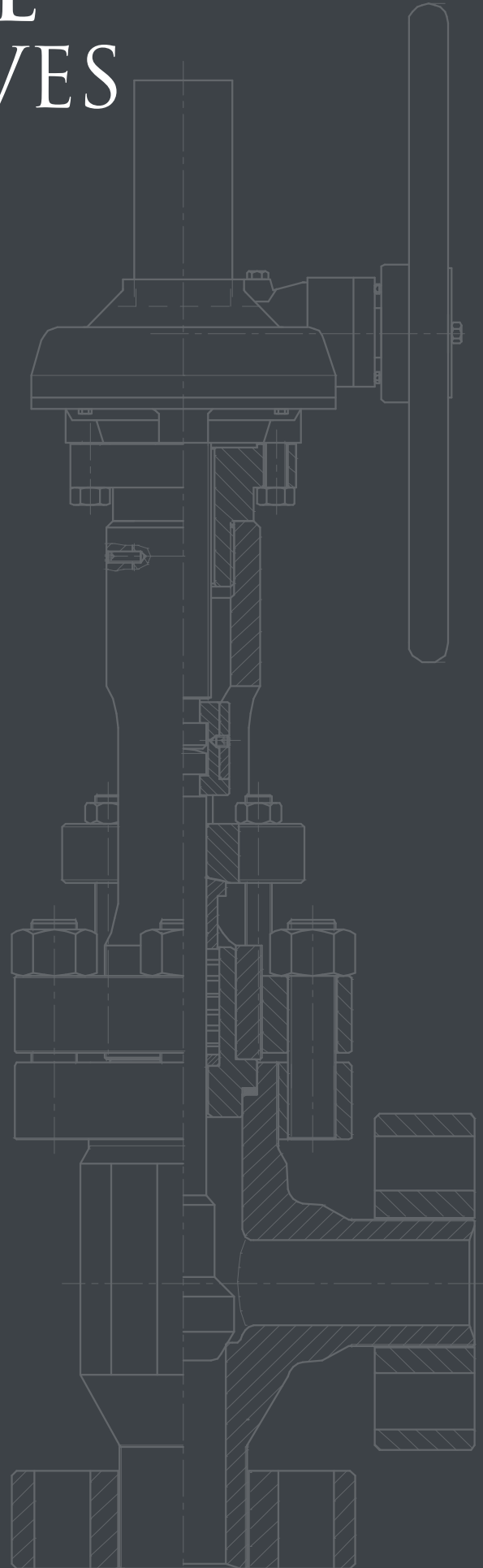
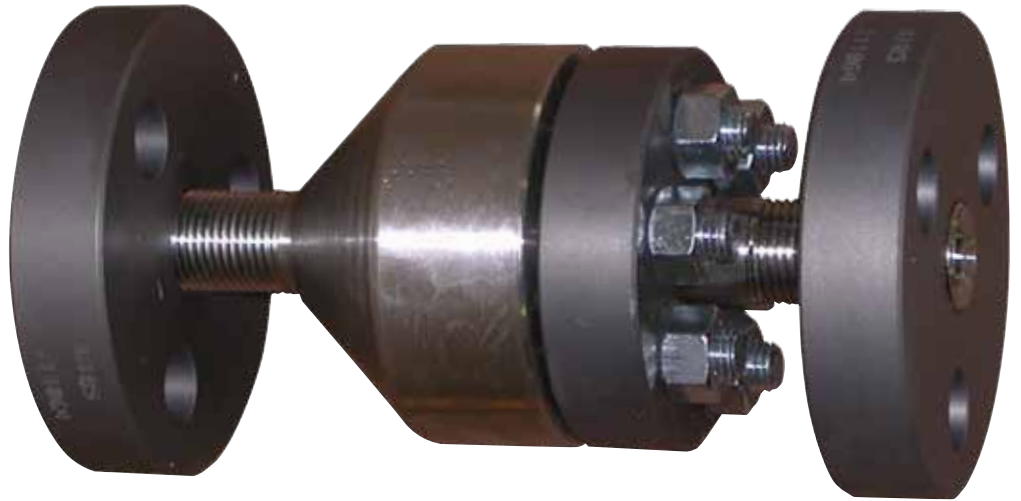


UREA SERVICE FORGED VALVES





UREA SERVICE VALVES



Telephone +34 913 581 212 e-mail gral@saidi.es
Fax +34 913 580 488 Web www.saidi.es

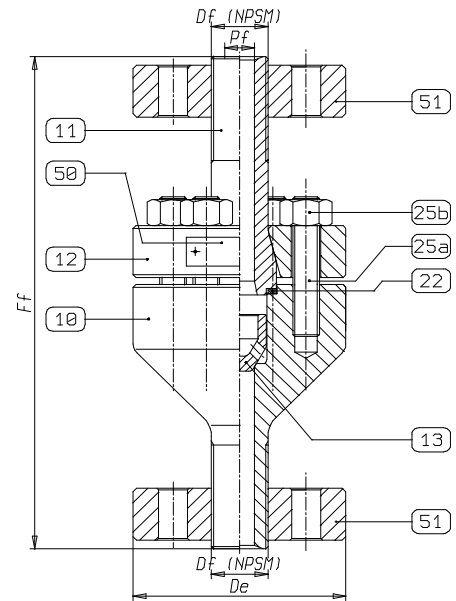
UREA VALVES

DROP CHECK VALVE UREA SERVICE PN325 1/2" to 2"

DOUGLAS CHERO DROP CHECK VALVE UREA SERVICE		Rating: PN325
DROP CHECK VALVE UREA SERVICE PN325		
Specifications		
Type	"Drop check" valve	
Tests	Standard: Body 490 bar. Seat 360 bar	
Rating	Class 2500, PN325 & PN455	
Certificates	In order to control the corrosion of the material, the following certificates can be issued (among others): Heat Treatment, Microstructure, 'Huey' Test (corrosion), Ferrite content, etc ...	



Components		
No.	Part name	Material
10	Half body (Int. Seat)	ASTM A182 / F316LM (Urea Grade)
11	Half body	ASTM A182 / F316LM (Urea Grade)
12	Body flange	ASTM A105N
13	Drop	ASTM A182 / F316LM (Urea Grade)
22	Ring gasket	ASTM A182 / F316LM (Urea Grade)
25a	Body screws	ASTM A193 / B7 Galvanized
25b	Body nuts	ASTM A194 / 2H Galvanized
50	Identification plate	Stainless steel
51	Flange	ASTM A105N



DROP CHECK UREA SERVICE PN325

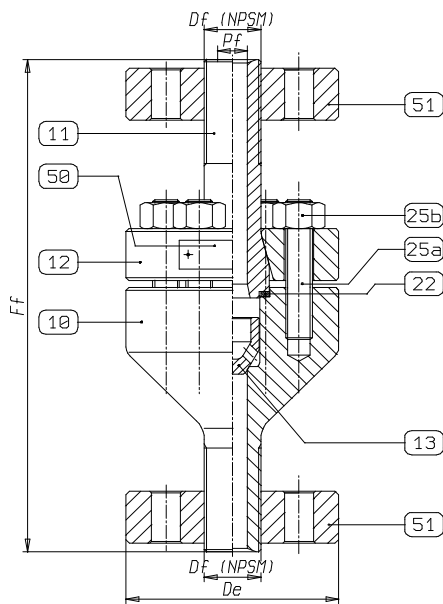
Article Number	DN	Df	Pf	De	Ff	Weight (kg)
-	1/2"	1/2"	11	95	180	4,50
-	3/4"	3/4"	15	100	215	4,50
-	1"	1"	19	105	245	9,50
-	1.1/2"	1.1/2"	28	135	300	19,70
-	2"	2"	37	155	430	43,34



DROP CHECK VALVE UREA SERVICE PN325 3" to 10"



DOUGLAS CHERO DROP CHECK VALVE UREA SERVICE		Rating: PN325
DROP CHECK VALVE UREA SERVICE PN325		
Specifications		
Type	"Drop check" valve	
Tests	Standard: Body 490 bar. Seat 360 bar	
Rating	Class 2500, PN325 & PN455	
Certificates	In order to control the corrosion of the material, the following certificates can be issued (among others): Heat Treatment, Microstructure, 'Huey' Test (corrosion), Ferrite content, etc ...	



Components		
No.	Part name	Material
10	Half body (Int. Seat)	ASTM A182 / F316LM (Urea Grade)
11	Half body	ASTM A182 / F316LM (Urea Grade)
12	Body flange	ASTM A105N
13	Drop	ASTM A182 / F316LM (Urea Grade)
22	Ring gasket	ASTM A182 / F316LM (Urea Grade)
25a	Body screws	ASTM A193 / B7 Galvanized
25b	Body nuts	ASTM A194 / 2H Galvanized
50	Identification plate	Stainless steel
51	Flange	ASTM A105N

DROP CHECK UREA SERVICE PN325

Article Number	DN	Df	Pf	De	Ff	Weight (kg)
-	3"	3"	58	200	485	76
-	4"	4"	73	250	560	130
-	6"	6"	102	330	800	315
-	8"	8"	135	410	900	560
-	10"	10"	180	480	1205	1100

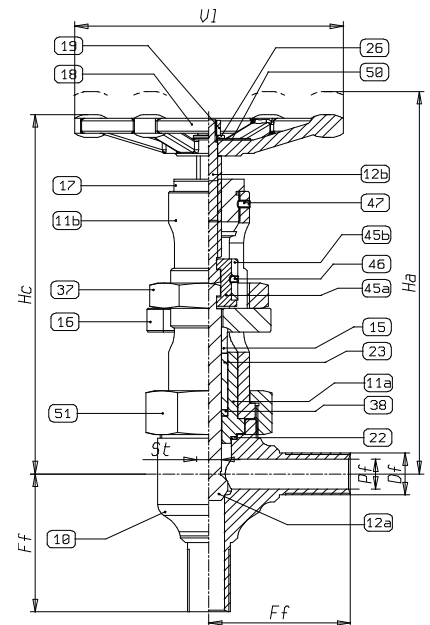
UREA VALVES

ANGLE BLOCK VALVE UREA SERVICE PN325



ANGLE BLOCK VALVE UREA SERVICE		Rating: PN325
ANGLE BLOCK VALVE UREA SERVICE PN325		
Specifications		
Type	90° Angle	
Tests	Standard: Body 490 bar. Seat 360 bar. Air 6 bar	
Rating	Class 2500, PN325 & PN455	
Certificates	In order to control the corrosion of the material, the following certificates can be issued (among others): <i>Heat Treatment, Microstructure, 'Huey' Test (corrosion), Ferrite content, etc ...</i>	

Components		
No.	Part name	Material
10	Body (Int. Seat)	ASTM A182 / F316LM (Urea Grade)
11a	Stuffing box body	ASTM A182 / F316LM (Urea Grade)
11b	Bonnet extension	ASTM A105N
12a	Stem	Ferralium Alloy 255
12b	Upper stem	ASTM A182 F6a
15	Packing gland	ASTM A182 / F316LM (Urea Grade)
16	Gland flange	ASTM A105N
17	Stem nut	Ni-resist Cast Iron
18	Handwheel	Carbon steel
19	Handwheel nut	Carbon steel
22	Ring gasket	ASTM A182 / F316LM (Urea Grade)
23	Packing	Preformed Graphite
26	Handwheel washer	Carbon steel
37	Gland bush	ASTM A182 F316
38	Packing washer	ASTM A182 / F316LM (Urea Grade)
45a	Split coupling	Cement steel (Tempered)
45b	Split coupling ring	AISI 410
46	Grub screw	Carbon steel
47	Grub screw	Carbon steel
50	Identification plate	Stainless steel
51	Body nut	ASTM A105N



ANGLE BLOCK VALVE UREA SERVICE PN325 MALE THREADED

Article Number	DN	Df	Pf	St	Hc	Ha	Ff	Vl	Weight (kg)
-	1/2"	1/2"	10	14,3	270	290	100	120	9,0
-	3/4"	3/4"	15	19,0	292	312	110	200	10,5
-	1"	1"	20	19,0	290	315	110	200	10,5



Telephone +34 913 581 212 e-mail gral@saidi.es
 Fax +34 913 580 488 Web www.saidi.es



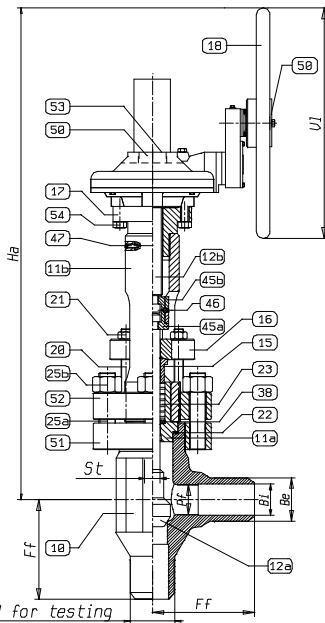
ANGLE BLOCK VALVE UREA SERVICE PN325

ANGLE BLOCK VALVE UREA SERVICE Rating: PN325

ANGLE BLOCK VALVE UREA SERVICE PN325

Specifications

Type	90° Angle
Tests	Standard: Body 490 bar. Seat 360 bar. Air 6 bar
Rating	Class 2500, PN325 & PN455
Certificates	In order to control the corrosion of the material, the following certificates can be issued (among others): <i>Heat Treatment, Microstructure, 'Huey' Test (corrosion), Ferrite content, etc ...</i>



Components

No.	Part name	Material
10	Body (Int. Seat)	ASTM A182 / F316LM (Urea Grade)
11a	Stuffing box body	ASTM A182 / F316LM (Urea Grade)
11b	Bonnet extension	ASTM A105N
12a	Stem	Ferralium Alloy 255
12b	Upper stem	ASTM A182 F6a
15	Packing gland	ASTM A182 / F316LM (Urea Grade)
16	Gland flange	ASTM A105N
17	Stem nut	Ni-Resist Cast Iron
18	Handwheel	Carbon steel
20	Gland stud	ASTM A193 B8
21	Gland nut	ASTM A194 Gr.8
22	Ring gasket	ASTM A182 / F316LM (Urea Grade)
23	Packing	Preformed Graphite
25a	Body screw	ASTM A193 B7 Galvanized
25b	Body nuts	ASTM A194 2H Galvanized
38	Packing washer	ASTM A182 / F316LM (Urea Grade)
45a	Split coupling	Cement steel (Tempered)
45b	Split coupling ring	AISI 410
46	Grub screw	Carbon steel
47	Grub screw	Carbon steel
50	Identification plate	Stainless steel
51	Body lower flange	ASTM A105N
52	Body upper flange	ASTM A105N
53	Reduction gear	-
54	Reduction gear screws	Carbon steel

ANGLE BLOCK VALVE UREA SERVICE PN325 BW¹

Article Number	DN	Bi	Be	Pf	St	Ha	Ff	VI	Weight (kg)
-	4"	92,0	115	73	40	1140	260	600	270
-	6"	136,5	169	110	54	1715	310	600	575

¹ 4" BW Sch.120 6" BW Sch.160

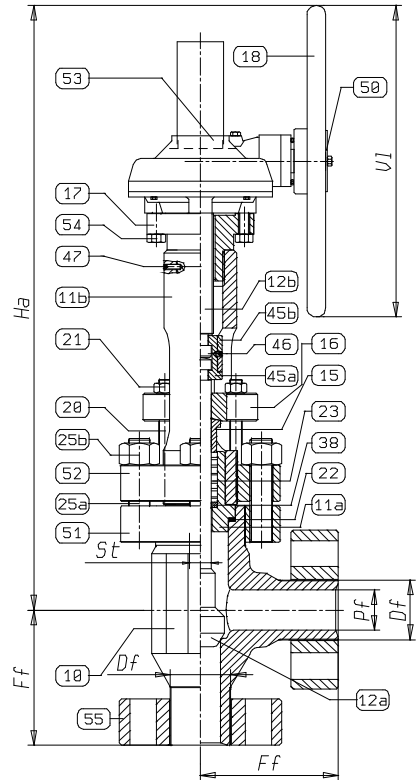
UREA VALVES

ANGLE BLOCK UREA SERVICE CLASS 2500



ANGLE BLOCK VALVE UREA SERVICE		Class: 2500
ANGLE BLOCK VALVE UREA SERVICE CLASS 2500		
Specifications		
Type	90° Angle	
Tests	Standard: Body 490 bar. Seat 360 bar. Air 6 bar	
Rating	Class 2500, PN325 & PN455	
Certificates	In order to control the corrosion of the material, the following certificates can be issued (among others): <i>Heat Treatment, Microstructure, 'Huey' Test (corrosion), Ferrite content, etc ...</i>	

Components		
No.	Part name	Material
10	Body (Int. Seat)	ASTM A182 / F316LM (Urea Grade)
11a	Stuffing box body	ASTM A182 / F316LM (Urea Grade)
11b	Bonnet extension	ASTM A105N
12a	Stem	Ferralium Alloy 255
12b	Upper stem	ASTM A182 F6a
15	Packing gland	ASTM A182 / F316LM (Urea Grade)
16	Gland flange	ASTM A105N
17	Stem nut	Ni-Resist Cast Iron
18	Handwheel	Carbon steel
20	Gland stud	ASTM A193 B8
21	Gland nut	ASTM A194 Gr.8
22	Ring gasket	ASTM A182 / F316LM (Urea Grade)
23	Packing	Preformed Graphite
25a	Body screws	ASTM A193 B7 Galvanized
25b	Body nuts	ASTM A194 2H Galvanized
38	Packing washer	ASTM A182 / F316LM (Urea Grade)
45a	Split coupling	Cement steel (Tempered)
45b	Split coupling ring	AISI 410
46	Grub screw	Carbon steel
47	Grub screw	Carbon steel
50	Identification plate	Stainless steel
51	Body lower flange	ASTM A105N
52	Body upper flange	ASTM A105N
53	Reduction gear	-
54	Reduction gear screws	Carbon steel
55	Flange	ASTM A105N



ANGLE BLOCK VALVE UREA SERVICE CLASS 2500 FLANGES

Article Number	DN	Df	Pf	St	Ha	Ff	V1	Weight (kg)
-	4"	4"	73	40	1140	260	600	270
-	6"	6"	110	54	1715	310	600	575
-	8"	8"	135	73	1842	360	800	780
-	10"	10"	180	83	2020	500	800	2050